



**ZHEJIANG A-CRYSTAL**  
ELECTRONIC TECHNOLOGY CO., LTD.



Issue	December 21, 2024
Rev.	1.0
Page	5

## CRYSTAL UNIT SPECIFICATIONS

客户批准 Customer Approval

(请批准后回签一份 Please Return A Copy With Approval)

Customer	
Customer P/N	
Product	CRYSTAL RESONATORS
Spec	PSX215A/32.768KHz
A-Crystal P/N	AS8 Series

Drawn	Checked	Approved
<i>Caoqiaobang</i>	<i>Fengying</i>	<i>Tanqlong</i>



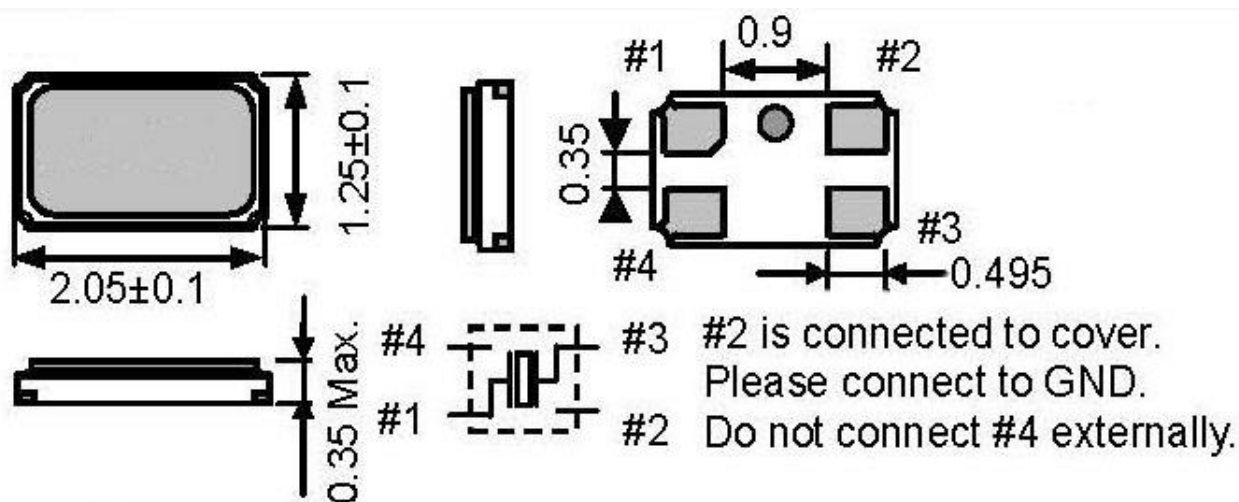
## 1. ELECTRICAL SPECIFICATIONS

### 1.1 Hold Type: PSX-215A

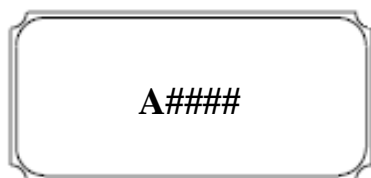
Parameter	Symb	Electrical Specification				Condition
		Min	Type	Max	Units	
Frequency Range	F <sub>0</sub>	-	32.768	-	KHz	
Frequency Tolerance	$\Delta f/f_0$	$\pm 5$	$\pm 20$	$\pm 50$	PPM	REF TO 25°C
Temperature Coefficient	K	$(-0.03 \pm 0.01) * 10^{-6}$			ppm/(°C) <sup>2</sup>	
Turnover Temperature	T <sub>TO</sub>	20	25	30	°C	
Operating Temperature Range	T <sub>OP</sub>	-20 -40	-	+70 +85	°C	
Storage Temperature Range	T <sub>ST</sub>	-55	-	125	°C	
Quality Factor	Q	10,000			Typ	
Series Resistance	R <sub>1</sub>	-	70	-	KΩ	REF TO 25°C
Shunt Capacitance	C <sub>0</sub>	-	1.3	-	Typ	7PF or less
Load Capacitance	C <sub>L</sub>	4	-	12.5	PF	
Insulator Resistance	IR	500	-	-	MΩ	DC100V ± 15V
Drive Level	DL	-	0.1	0.5	μW	
Capacitance ratio	R	-	450	-	TYP	
Aging Rate	Fa	$\pm 5$	-	$\pm 5$	PPM	at 25°C ± 3°C
Package type	2.0*1.2*0.6					



**1.2 Dimension** (Unit: mm)



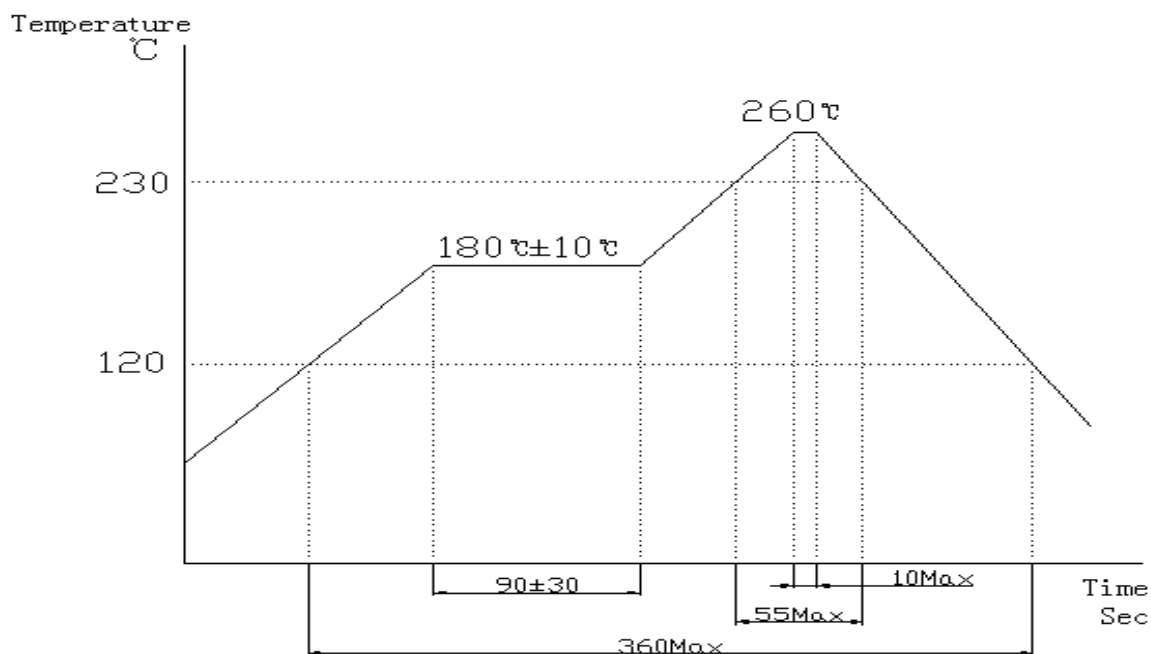
**1.3 Marking**



**A:** 32.768  
**####:** Lot No

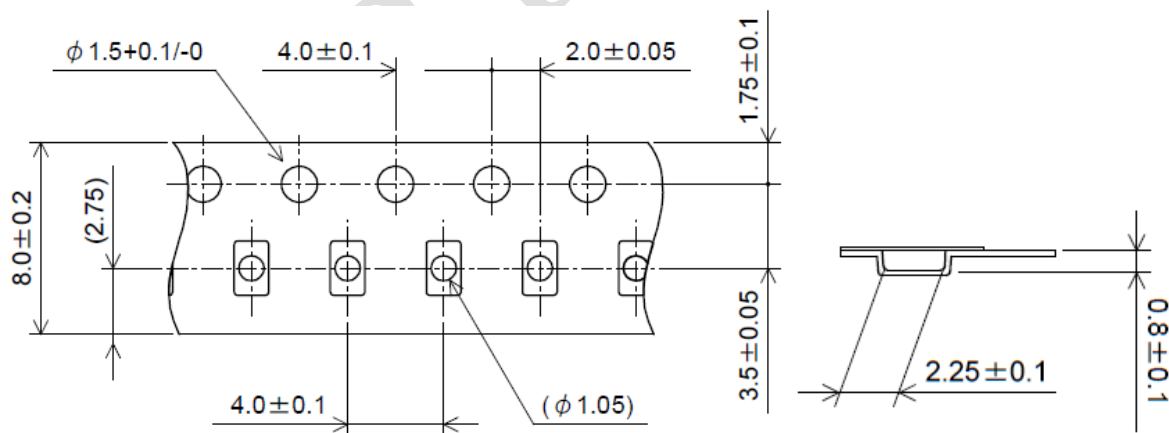


### 1.4 Reflow solder



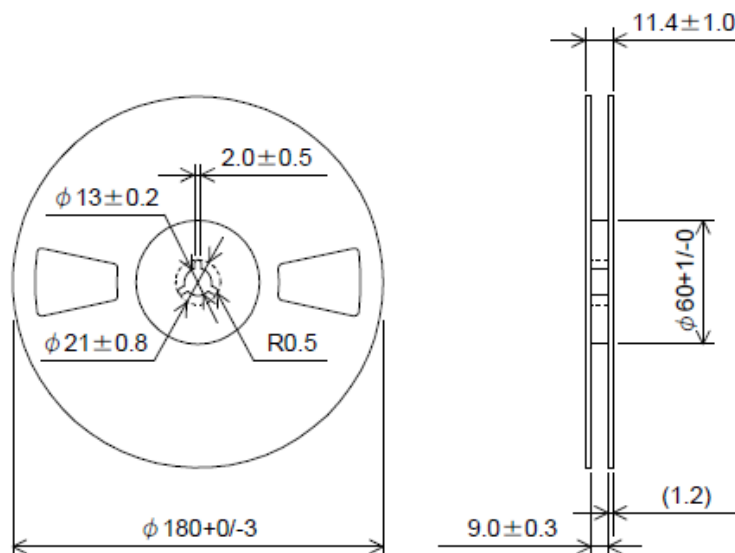
## 2. Packing

### 2.1 Packing Method Sketch Map (Unit: mm)





## 2.2 Reel Dimensions (Unit: mm)



Pieces per reel: 3000/reel

## 3. Products Code

### 3.1 SMD Tuning Fork Crystal Resonators/KHz

公司代码 浙江一晶	产品型号 (2位)	工作频率 (全频点位数)	负载电容 (1位字母)	调整频差 (1位字母)	温度频差 (1位字母)	工作温度 (1位字母)	其它
A-crystal Logo	Package	Nominal Frequency	Load Capacitance	Frequency Tolerating	Freq Temp Characteristics	Operating Temperature Range	Others
A	S8 (PSX215A)	32.768K	无穷大=000	01=5PPM	T=-0.034± 0.006ppm/(°C) <sup>2</sup>	1=0~50	Special
			9PF=009	02=10PPM	A=10PPM	2=-10~60	
			12PF=012	03=20PPM	B=15PPM	3=-10~70	
			12.5PF=125	04=30PPM	C=20PPM	4=-20~70	
				05=40PPM	D=25PPM	5=-30~85	
				06=50PPM	E=30PPM	6=-40~85	
					F=50PPM	7=-40~105	
						8=-40~125	